



## Smart lift

SL 380

Outdoor High Lifter

Product information and specifications

# Smart lift SL380 Outdoor High Lifter

## STANDARD EQUIPMENT

- Off road with front-wheel drive and big wheels with electronic brake
- Ergonomic operation handle
- Multifunctional swivel head
- Waterproof according to ip65
- Foam filled tyres
- Lifting height 2900 mm (centre of yoke)
- Manoevrable with dual rear wheels
- 2 vacuum circuits with 2 pumps

## DIMENSIONS



Width (min) .....	<b>820 mm</b>
Length (min) .....	<b>1820 mm</b>
Extention of arm .....	<b>600 + 600 mm</b>
Side shift .....	<b>100 mm</b>
Lifting capacity arm in/extended .....	<b>380 kg /100 kg</b>



Height .....	<b>1350 mm</b>
Lifting height.....	<b>3250 mm</b>



Tip from horizontal .....	<b>50° backwards / 50° forward</b>
---------------------------	------------------------------------



Propelling engine .....	<b>500 Watt</b>
Battery (2 x 12 V) 24 Volt .....	<b>2 x 105 A</b>
Running period .....	<b>Approx. 30 hours</b>
Integrated charger .....	<b>Cetek XT 14000</b>
Charging time .....	<b>Approx. 8 hours</b>
Voltage charger .....	<b>230 volt</b>
Front-wheel drive .....	<b>1200 Watt - AC</b>

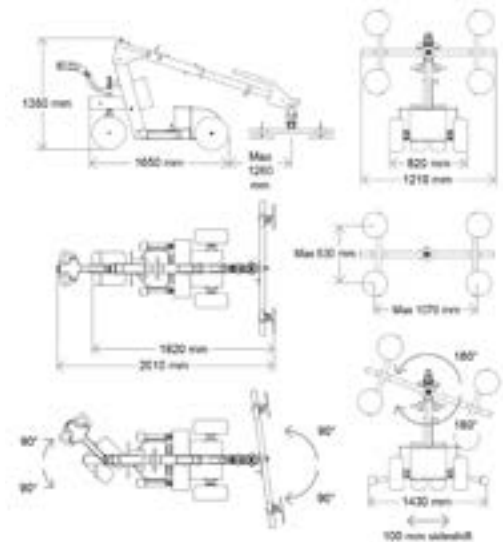


Vacuum system .....	<b>2 circuits</b>
Suction pads .....	<b>4 x Ø300 mm</b>
Automatic suction .....	<b>Yes</b>
Brake .....	<b>Electric</b>
Automatic suction .....	<b>2 vacuum pumps</b>
Suction pads .....	<b>4 stk. Ø 300 mm</b>
Speedregulation .....	<b>Stepless high / low</b>



Weight .....	<b>700 kg</b>
--------------	---------------

## LOADING DIAGRAM



[www.instant.no](http://www.instant.no)



**Norway**

Tel.: +47 23 19 11 00  
info@instant.no

**Lithuania**

Tel.: +370 5 233 1096  
info@instant.lt

**Latvia**

Tel.: + 371 263 58 152  
info@instantlatvija.lv

**Estonia**

Tel.: +372 680 76 33  
info@instant.ee